

Quick Guide

Home wiring

The wiring that you install in your customer's properties is pivotal to their experience.

Your options in the installation of internal wiring are shown as below

Implications of locating the service provider's router in a cupboard

It is important to note that the Wi-Fi service your customer receives is dependent upon the intended location of the communication provider's router. Placing the router in a service cupboard or under stairs cupboard will significantly reduce the speed and coverage your customer will receive.

It is highly recommended that if you position the router in this way that you provide additional RJ45 ports within the home.

Ideally for optimum speeds to be enjoyed using Wi-Fi service it is recommended that you locate the router centrally within the property.

For information, advice and guidance around positioning, please refer to: PAS: 2016 Next Generation Access for new Build Homes Guide.

Please note

All internal wires and sockets beyond the ONT are the responsibility of the developer/future home owner.

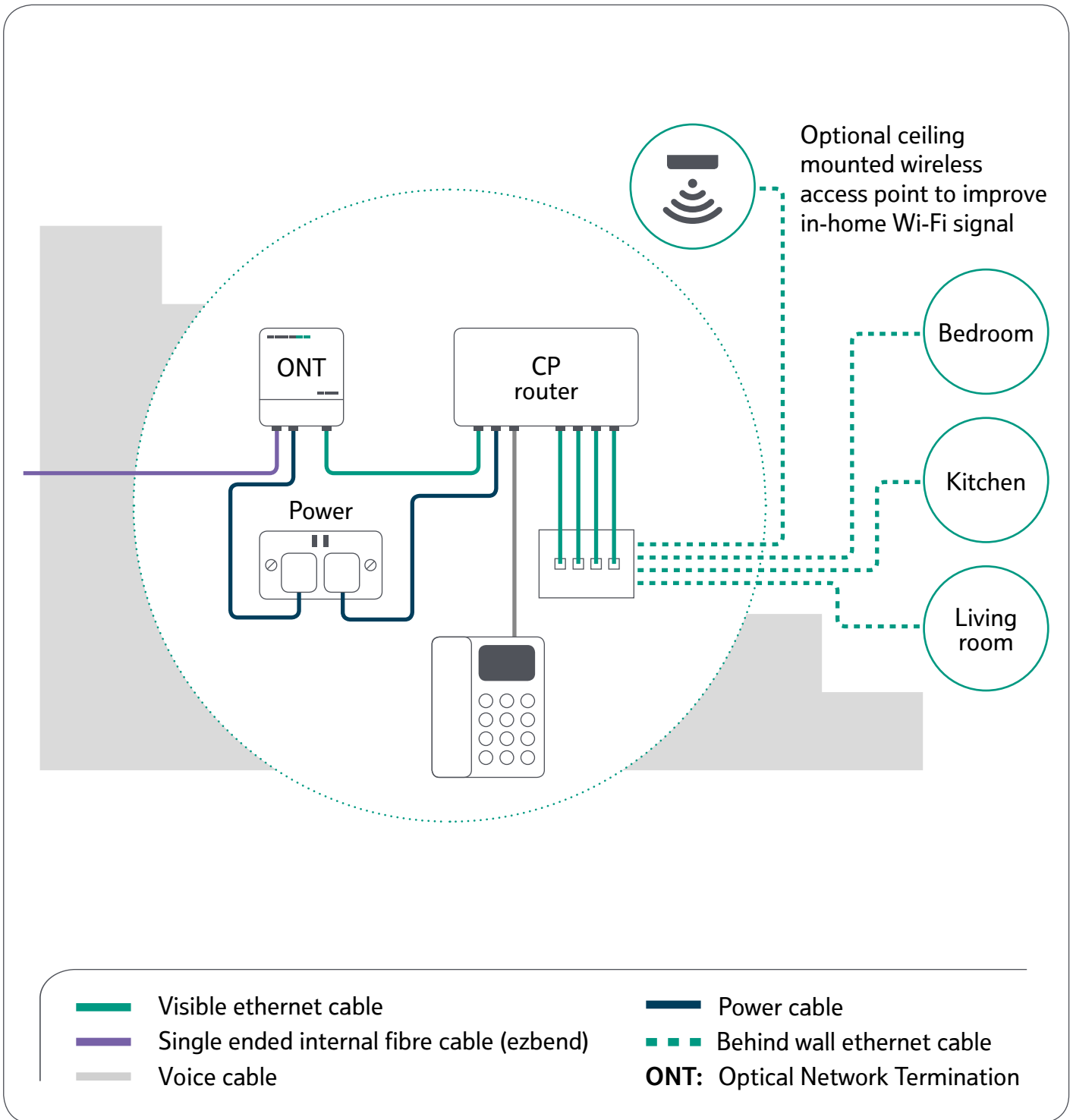
If any part of the connectorised internal fibre cable is found to be damaged at commissioning, it is the developer's responsibility to replace it.

If the homeowner experiences a lack of service or poor service, which is due to a fault within the internal installation of wiring, which requires Openreach to rectify, the homeowner will be charged.

Please note

All installations of an Openreach ONT require at least 1 power socket to be installed/available in the same location.

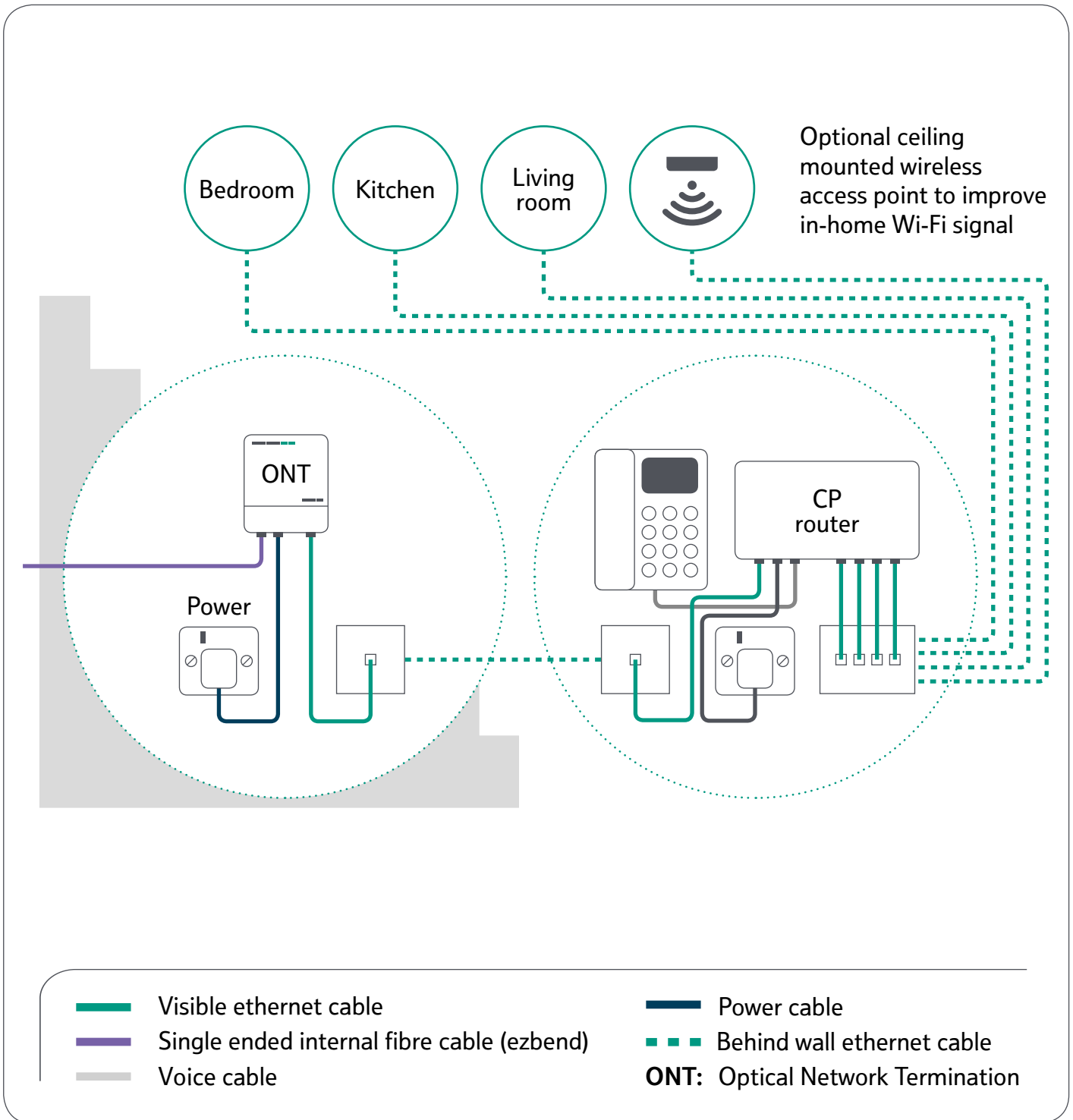
An additional socket is recommended if not provided RJ45 network ports throughout the home, as this will be required by the CP router.



Option 1: The simple install

The simplest installation will be the provision of the Openreach equipment (i.e. the ONT will be positioned adjacent to the outside wall) to which the customer then attaches the router, provided by their communications provider.

This installation limits the number of physical connections to the router and means the homeowner may not make the most of their FTTP connection due to the reliance on wireless connectivity.

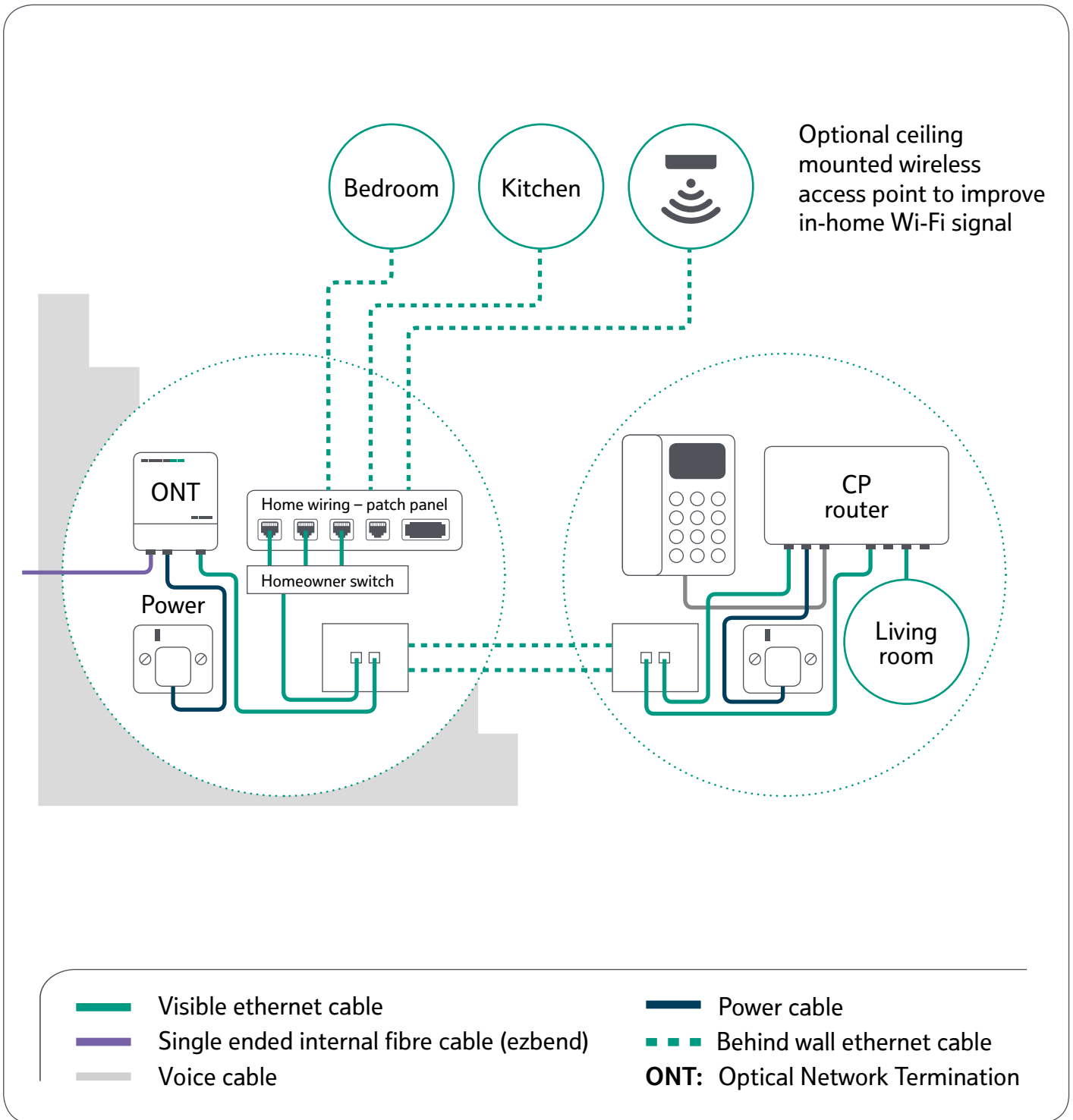


Option 2: Relocating the router via internal network cabling

Relocating the communication provider (CP) router provides a better quality wireless connection, as well as the ability to connect static devices such as TVs or games consoles physically. This allows these devices to take full advantage of the high speeds and bandwidth of a full fibre connection.

Additional Cat6* cabling is required for this option from the ONT to the chosen relocation area. This connection should terminate in an RJ45 socket. A power socket should be provided for the CP router next to this socket.

*Cat6 is the preferred option to 'future proof' for modern devices



Option 3: The networked home

Further to the second option, this setup cables back from the CP router position within the property to the under stairs/service cupboard position of the Openreach ONT for the location of a patch panel. This means that, as much as possible, any structured cabling is discreetly located out of sight.

A patch panel is the best option to intelligently connect multiple rooms with structured cabling. In this setup a customer could also install an ethernet bridge/switch to further create a truly networked home.

Provision of the Openreach equipment

When Openreach installs the equipment we will install the ONT wherever the incoming fibre cable is located. Where you self-install the ONT, you will have control over when the equipment is installed. The ONT will remain the property of Openreach in both installation scenarios.

Where you are self-installing the Openreach equipment we will supply the ONT and the single ended internal fibre cable (ezbend) you need. If you are installing the ONT opposite the cable entry hole, you will need to install a flush mounted double back box on the internal wall where the ONT is to be located.

The ONT will be installed at this location unless an alternative position has been agreed with your Field Based Co-ordinator (FBC) and the appropriate single ended internal fibre cable (ezbend) is run in a continuous fault-free length to the alternative position.

While the provision of internal wiring beyond the Openreach ONT is the responsibility of the developer, you can contract an Openreach engineer to do this work for you. If interested, please contact your local customer network solutions team on 0800 783 2023. Terms and Conditions for the provision of internal wiring will apply.

Please note

If single ended internal fibre cable (ezbend) is damaged by developers during installation then an internal Splice Point may be required to be fitted to complete installation. This will be undertaken at commissioning stage by Openreach.

Installation of internal cabling

Data Cabling

- As a rule of thumb connectorised internal fibre cables must not exceed the minimum bend radius (i.e. no smaller than) of a £2 coin.
- Detailed information on cable installation and separation is given in the British Standards Code of Practice 6701, Part 1 (particularly clause 6) and the relevant sections of the latest IEE Regulations for electrical Installation (Regulation 525 is of particular importance).
- The wiring pattern for cabling must be either in series or spur. For data it must be point to point as speeds will be impacted after the first point of a daisy chain.
- We'd recommend data cabling rooms likely to benefit most from a physical connection, like the room with the main TV and the home office.

openreach.co.uk

The telecommunications services described in this publication are subject to availability and may be modified from time to time. Products and services are provided subject to British Telecommunications plc's respective standard conditions of contract. Nothing in this publication forms any part of any contract. Openreach and the Openreach logo are trademarks of British Telecommunications plc. © British Telecommunications plc 2021. Registered office: 81 Newgate Street, London EC1A 7AJ Registered in England No: 1800000. Produced by Openreach. Designed by westhill.co.uk